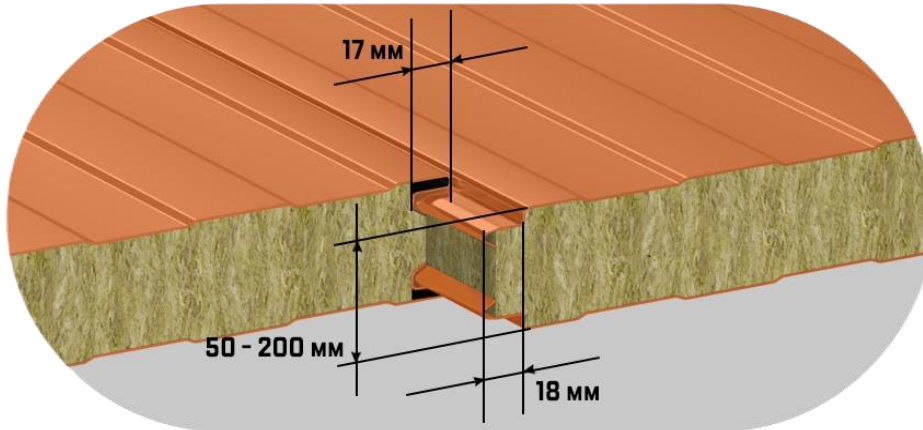


**WALL AND ROOF MINERAL WOOL SANDWICH PANELS. CLASS 1
 WITH Z-LOCK AND SECRET FIX LOCK**

ALL PRICES IN US DOLLARS, VAT NOT INCLUDED

14.12.2023

WALL PANELS



WITH Z-LOCK

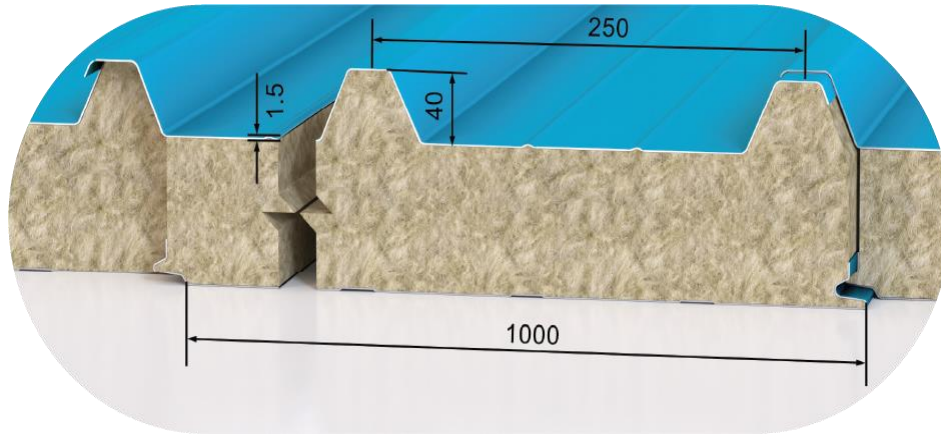
EXTERIOR COATING		PANEL'S THICKNESS, MM / Z-LOCK							
SIDE A	SIDE B	50	60	80	100	120	150	170	200
FIRE RESISTANCE CLASS		EI 30	EI 60	EI 90	EI 150	EI 180			
RAL	RAL	29,56	31,53	35,60	39,41	43,32	49,27	53,08	59,18
	ZN	28,60	30,58	34,64	38,45	42,36	48,31	52,12	58,22
	AISI 304	44,29	46,27	50,33	54,14	58,05	64,00	67,81	73,91
	AISI 430	38,91	40,88	44,95	48,76	52,67	58,62	62,43	68,53
	PVDF	33,68	35,66	39,73	43,53	47,44	53,39	57,20	63,30
	PU	36,52	38,49	42,56	46,37	50,28	56,23	60,03	66,13
	FOOD SAFE	41,43	43,41	47,48	51,28	55,19	61,14	64,95	71,05
ZN	RAL	28,60	30,58	34,64	38,45	42,36	48,31	52,12	58,22
	ZN	27,64	29,62	33,68	37,49	41,40	47,35	51,16	57,26
	AISI 304	43,33	45,31	49,38	53,18	57,09	63,04	66,85	72,95
	AISI 430	37,95	39,93	43,99	47,80	51,71	57,66	61,47	67,57
	PVDF	32,73	34,70	38,77	42,58	46,48	52,43	56,24	62,34
	PU	35,56	37,53	41,60	45,41	49,32	55,27	59,08	65,18
	FOOD SAFE	40,48	42,45	46,52	50,33	54,23	60,18	63,99	70,09
AISI 304	RAL	44,29	46,27	50,33	54,14	58,05	64,00	67,81	73,91
	ZN	43,33	45,31	49,38	53,18	57,09	63,04	66,85	72,95
	AISI 304	59,03	61,00	65,07	68,88	72,78	78,73	82,54	88,64
	AISI 430	53,64	55,62	59,68	63,49	67,40	73,35	77,16	83,26
	PVDF	48,42	50,39	54,46	58,27	62,18	68,13	71,93	78,03
	PU	51,25	53,23	57,29	61,10	65,01	70,96	74,77	80,87
	FOOD SAFE	56,17	58,14	62,21	66,02	69,93	75,88	79,68	85,78
AISI 430	RAL	38,91	40,88	44,95	48,76	52,67	58,62	62,43	68,53
	ZN	37,95	39,93	43,99	47,80	51,71	57,66	61,47	67,57
	AISI 304	53,64	55,62	59,68	63,49	67,40	73,35	77,16	83,26
	AISI 430	48,26	50,23	54,30	58,11	62,02	67,97	71,78	77,88
	PVDF	43,03	45,01	49,08	52,88	56,79	62,74	66,55	72,65
	PU	45,87	47,84	51,91	55,72	59,63	65,58	69,38	75,48
	FOOD SAFE	50,78	52,76	56,83	60,63	64,54	70,49	74,30	80,40

	RAL	33,68	35,66	39,73	43,53	47,44	53,39	57,20	63,30
	ZN	32,73	34,70	38,77	42,58	46,48	52,43	56,24	62,34
PVDF	AISI 304	48,42	50,39	54,46	58,27	62,18	68,13	71,93	78,03
	AISI 430	43,03	45,01	49,08	52,88	56,79	62,74	66,55	72,65
	PVDF	37,81	39,78	43,85	47,66	51,57	57,52	61,33	67,43
	PU	40,64	42,62	46,68	50,49	54,40	60,35	64,16	70,26
	FOOD SAFE	45,56	47,53	51,60	55,41	59,32	65,27	69,08	75,18
		RAL	36,52	38,49	42,56	46,37	50,28	56,23	60,03
	ZN	35,56	37,53	41,60	45,41	49,32	55,27	59,08	65,18
PU (POLYURETHANE)	AISI 304	51,25	53,23	57,29	61,10	65,01	70,96	74,77	80,87
	AISI 430	45,87	47,84	51,91	55,72	59,63	65,58	69,38	75,48
	PVDF	40,64	42,62	46,68	50,49	54,40	60,35	64,16	70,26
	PU	43,48	45,45	49,52	53,33	57,23	63,18	66,99	73,09
	FOOD SAFE	48,39	50,37	54,43	58,24	62,15	68,10	71,91	78,01
	FOOD SAFE	FOOD SAFE	53,31	55,28	59,35	63,16	67,07	73,02	76,83

WITH SECRET FIX LOCK

EXTERIOR COATING		PANEL'S THICKNESS, MM / SECRET FIX				
SIDE A	SIDE B	60	80	100	120	150
FIRE RESISTANCE CLASS		EI 30	EI 60	EI 90	EI 150	EI 180
RAL	RAL	34,46	38,86	42,75	46,75	52,88
	ZN	33,09	37,49	41,38	45,38	51,52
	AISI 304	55,51	59,91	63,80	67,80	73,93
	AISI 430	47,82	52,22	56,11	60,11	66,24
	PVDF	40,35	44,75	48,64	52,64	58,78
	PU	44,40	48,80	52,69	56,69	62,83
	FOOD SAFE	51,43	55,83	59,72	63,72	69,85
ZN	RAL	33,09	37,49	41,38	45,38	51,52
	ZN	31,73	36,13	40,02	44,02	50,15
	AISI 304	54,14	58,54	62,43	66,43	72,57
	AISI 430	46,45	50,85	54,74	58,74	64,88
	PVDF	38,98	43,38	47,28	51,28	57,41
	PU	43,03	47,43	51,33	55,33	61,46
	FOOD SAFE	50,06	54,46	58,35	62,35	68,48
AISI 304	RAL	55,51	59,91	63,80	67,80	73,93
	ZN	54,14	58,54	62,43	66,43	72,57
	AISI 304	76,56	80,96	84,85	88,85	94,98
	AISI 430	68,87	73,27	77,16	81,16	87,29
	PVDF	61,40	65,80	69,69	73,69	79,83
	PU	65,45	69,85	73,74	77,74	83,88
	FOOD SAFE	72,48	76,88	80,77	84,77	90,90
AISI 430	RAL	47,82	52,22	56,11	60,11	66,24
	ZN	46,45	50,85	54,74	58,74	64,88
	AISI 304	68,87	73,27	77,16	81,16	87,29
	AISI 430	61,18	65,58	69,47	73,47	79,60
	PVDF	53,71	58,11	62,00	66,00	72,13
	PU	57,76	62,16	66,05	70,05	76,18
	FOOD SAFE	64,78	69,18	73,08	77,08	83,21
PVDF	RAL	40,35	44,75	48,64	52,64	58,78
	ZN	38,98	43,38	47,28	51,28	57,41
	AISI 304	61,40	65,80	69,69	73,69	79,83
	AISI 430	53,71	58,11	62,00	66,00	72,13
	PVDF	46,24	50,64	54,53	58,53	64,67
	PU	50,29	54,69	58,58	62,58	68,72
	FOOD SAFE	57,32	61,72	65,61	69,61	75,74
PU (POLYURETHANE)	RAL	44,40	48,80	52,69	56,69	62,83
	ZN	43,03	47,43	51,33	55,33	61,46
	AISI 304	65,45	69,85	73,74	77,74	83,88
	AISI 430	57,76	62,16	66,05	70,05	76,18
	PVDF	50,29	54,69	58,58	62,58	68,72
	PU	54,34	58,74	62,63	66,63	72,77
	FOOD SAFE	61,37	65,77	69,66	73,66	79,79
FOOD SAFE	FOOD SAFE	68,39	72,79	76,68	80,68	86,82

ROOF PANELS



EXTERIOR COATING		PANELS' THICKNESS, MM							
SIDE A	SIDE B	50	60	80	100	120	150	170	200
FIRE RESISTANCE CLASS		RE 15	RE 30	REI 45	REI 45			REI 60	
RAL	RAL	34,44	36,34	40,43	44,18	48,01	53,72	57,78	63,48
	ZN	33,33	35,23	39,31	43,07	46,89	52,60	56,66	62,36
	AISI 304	51,65	53,55	57,63	61,39	65,22	70,93	74,98	80,68
	AISI 430	45,37	47,27	51,35	55,11	58,93	64,64	68,70	74,40
	PVDF	39,26	41,16	45,24	49,00	52,83	58,53	62,59	68,29
	PU	42,57	44,47	48,55	52,31	56,13	61,84	65,90	71,60
	FOOD SAFE	48,32	50,22	54,30	58,06	61,88	67,59	71,65	77,35
ZN	RAL	33,33	35,23	39,31	43,07	46,89	52,60	56,66	62,36
	ZN	32,21	34,11	38,19	41,95	45,78	51,48	55,54	61,24
	AISI 304	50,53	52,43	56,52	60,28	64,10	69,81	73,87	79,57
	AISI 430	44,25	46,15	50,23	53,99	57,82	63,53	67,58	73,28
	PVDF	38,14	40,04	44,13	47,88	51,71	57,42	61,48	67,18
	PU	41,45	43,35	47,43	51,19	55,02	60,73	64,78	70,48
	FOOD SAFE	47,20	49,10	53,18	56,94	60,77	66,48	70,53	76,23
AISI 304	RAL	51,65	53,55	57,63	61,39	65,22	70,93	74,98	80,68
	ZN	50,53	52,43	56,52	60,28	64,10	69,81	73,87	79,57
	AISI 304	68,86	70,76	74,84	78,60	82,43	88,13	92,19	97,89
	AISI 430	62,58	64,48	68,56	72,32	76,14	81,85	85,91	91,61
	PVDF	56,47	58,37	62,45	66,21	70,03	75,74	79,80	85,50
	PU	59,78	61,68	65,76	69,52	73,34	79,05	83,11	88,81
	FOOD SAFE	65,53	67,43	71,51	75,27	79,09	84,80	88,86	94,56
AISI 430	RAL	45,37	47,27	51,35	55,11	58,93	64,64	68,70	74,40
	ZN	44,25	46,15	50,23	53,99	57,82	63,53	67,58	73,28
	AISI 304	62,58	64,48	68,56	72,32	76,14	81,85	85,91	91,61
	AISI 430	56,29	58,19	62,28	66,03	69,86	75,57	79,63	85,33
	PVDF	50,18	52,08	56,17	59,93	63,75	69,46	73,52	79,22
	PU	53,49	55,39	59,48	63,23	67,06	72,77	76,83	82,53
	FOOD SAFE	59,24	61,14	65,23	68,98	72,81	78,52	82,58	88,28
PVDF	RAL	39,26	41,16	45,24	49,00	52,83	58,53	62,59	68,29
	ZN	38,14	40,04	44,13	47,88	51,71	57,42	61,48	67,18
	AISI 304	56,47	58,37	62,45	66,21	70,03	75,74	79,80	85,50
	AISI 430	50,18	52,08	56,17	59,93	63,75	69,46	73,52	79,22
	PVDF	44,08	45,98	50,06	53,82	57,64	63,35	67,41	73,11
	PU	47,38	49,28	53,37	57,13	60,95	66,66	70,72	76,42
	FOOD SAFE	53,13	55,03	59,12	62,88	66,70	72,41	76,47	82,17
PU (POLYURETHANE)	RAL	42,57	44,47	48,55	52,31	56,13	61,84	65,90	71,60
	ZN	41,45	43,35	47,43	51,19	55,02	60,73	64,78	70,48
	AISI 304	59,78	61,68	65,76	69,52	73,34	79,05	83,11	88,81
	AISI 430	53,49	55,39	59,48	63,23	67,06	72,77	76,83	82,53
	PVDF	47,38	49,28	53,37	57,13	60,95	66,66	70,72	76,42
	PU	50,69	52,59	56,68	60,43	64,26	69,97	74,03	79,73
	FOOD SAFE	56,44	58,34	62,43	66,18	70,01	75,72	79,78	85,48
FOOD SAFE	FOOD SAFE	62,19	64,09	68,18	71,93	75,76	81,47	85,53	91,23

PH INSULATION MANUFACTURES CLASS 1 SANDWICH PANELS
ON ITALIAN PU.MA CONTINUES LINE

- Mineral Wool Density - 105 kg/m³
- You can request sandwich panels with high-quality standard metal of leading Russian and world suppliers Severstal, NLMK, MMK, Arcelor, SSAB, Lampre, etc. with polymer coating.
- Or you can request the special metal according to your requirements:
 - wide range of colors according to RAL chart for polymer coating,
 - various coatings: Polyester, Pural, PVDF, or Food Safe Laminate (a special 110 µm thick coating for food products storage and processing facilities: meat and fish processing plants, dairy farming, etc).
- You can also choose the panels with flat surface or with ribs for elevated sturdiness.
- All PH Insulation panels are delivered wrapped in a surface-protection plastic film for transportation.



+7 [495] 240-83-14

WWW.PROFHOLOD.COM